

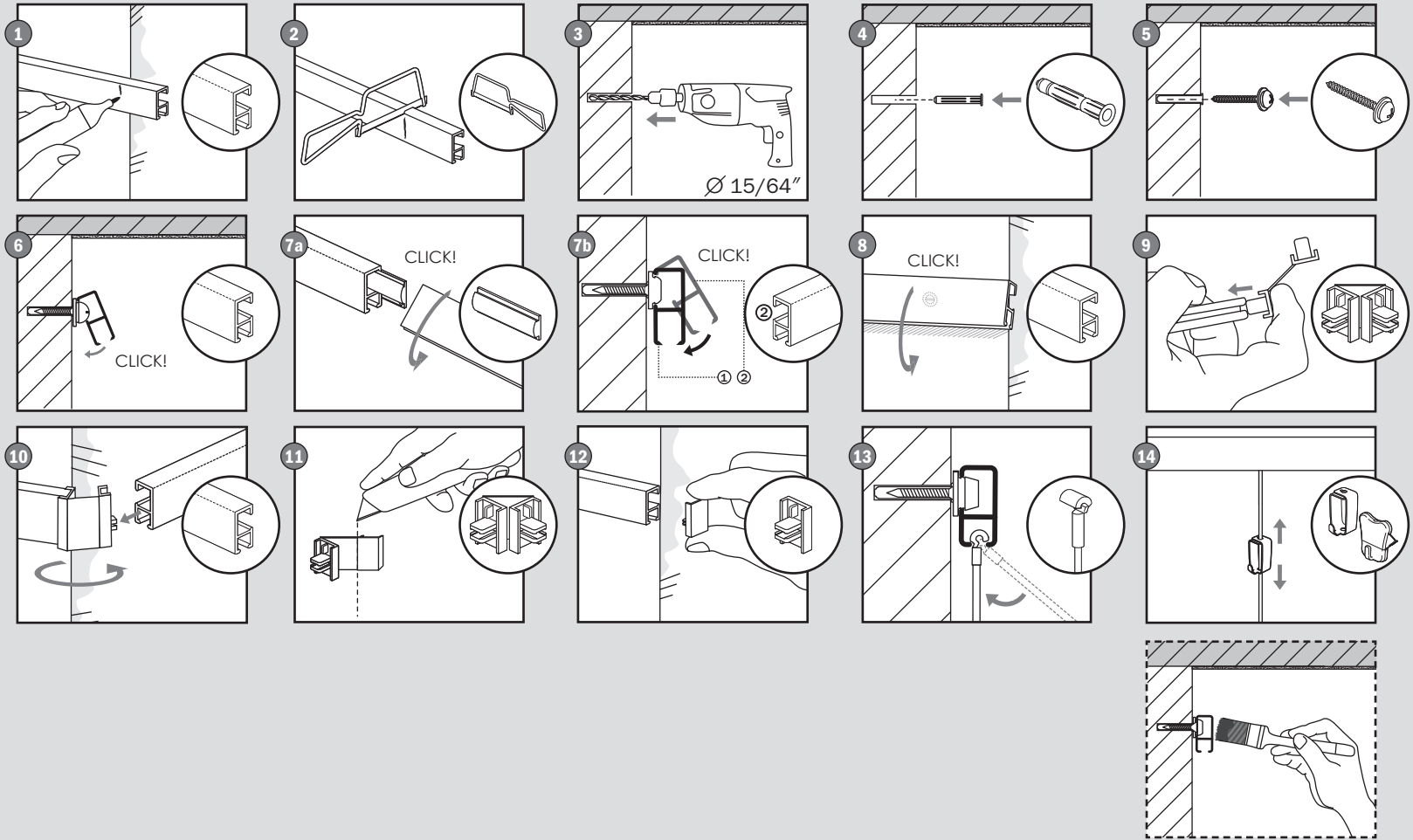
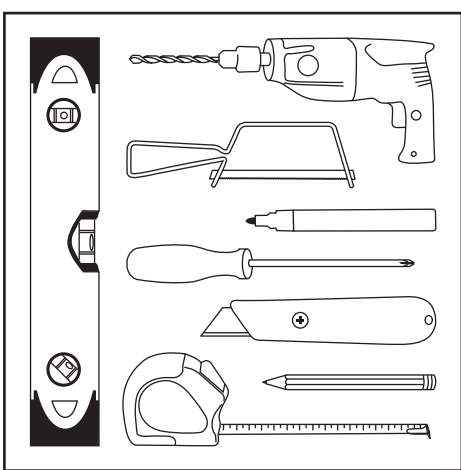
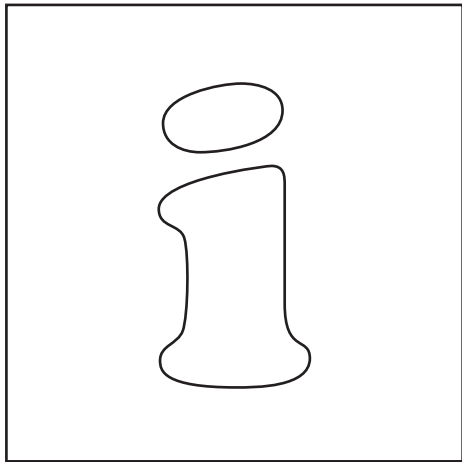


STAS minirail manual

 www.picturehangingsystems.com

 www.youtube.com/user/STAShangingsystems





STAS picture hanging systems



www.picturehangingsystems.com



www.youtube.com/user/STAShangingsystems



IMPORTANT SAFETY INSTRUCTIONS

Instructions for all STAS picture hanging systems pertaining to a risk of injury to persons

- Keep perlon cords and steel cables out of reach of children.
- Indoor use only.
- Do not use in humid areas.
- Do not make adjustments to the system.
- Always choose screws and plugs that are specifically suited for the respective material.

Extra instructions for all STAS picture hanging systems with 12 V system pertaining to a risk of fire, electric shock, exposure to excessive UV radiation, or injury to persons:

Caution: Before starting, turn off the power at the main circuit panel.

- The total wattage may never exceed the capacity of the transformer.
- Do not short-circuit the output terminals.
- Ensure the correct voltage is used as continuous excess voltage could damage your multirail system.
- The transformer cables may not be extended or shortened in any case.
- Turn off the system/unplug and allow to cool before replacing the bulb.
- Bulb and enclosure could get hot.
- Do not look directly at the lighted bulb.
- Keep hot bulb away from materials that may burn.
- MR11 – GU4 is the only suitable lamp for STAS armatures.
- Do not operate the unit with a missing or damaged bulb.
- Keep out of reach from children.
- Deviation from the assembly instructions may result in a risk of fire or electric shock.
- When using more than one adapter you need to create independent circuits. Make sure you never connect the rails with more than one adapter at a time! Otherwise this will result in a short circuit.
- Insert the wooden strip before sawing/shortening the rail to prevent damage to the power lines.
- Never make any adjustments to the system other than stated in this manual.
- Always use original STAS products, parts, lighting fixtures and (LED) lamps.

Disclaimer

This manual has been put together with great care. Nevertheless, the manual may still contain type-setting and/or printing errors. Obviously, STAS accepts no liability for errors of this nature. In conjunction with its policy of continual product improvement, STAS reserves the right to implement changes to the range, models, colours, etc. as and when circumstances make this necessary. Correct installation of STAS hanging systems is of essential importance. The installer must assess the strength of the walls or ceilings in the locations where the hanging systems are to be fitted, and the expected loads, and take account of and observe all relevant local regulations and legislation. If necessary, the installer must use fasteners that are more suitable for the task. The installer always has final responsibility for correct fitting, assessment of the walls or ceilings and the choice of fasteners. Maximum weights are indicated in the catalogue. STAS refuses all liability for improper use (including but not limited to not following the Safety Instructions) or when the products are subjected to a higher load than advised. STAS also refuses liability for direct, indirect or consequential damage arising from attachment to structures of insufficient strength, combinations with systems other than STAS picture hanging systems or unauthorised combinations of STAS picture hanging systems.

Warranty

STAS picture hanging systems guarantees the quality of the supplied hanging systems and the quality of the materials used. This warranty runs for a period of five (5) years from purchase of the hanging system and one (1) year for all STAS multirail 12 V components. Failure to comply with the cautions stated in this manual may affect your safety and will void your warranty.

Not covered under the terms of the warranty are defects arising which are attributable in whole or in part to incorrect installation or incorrect use of the system, other than mentioned in the manual. Should you wish to claim under the warranty, please contact your dealer. Please carefully retain your invoice with this warranty!

Your STAS dealer:

